








Additional information on this product is immediately available online at [www.bannerengineering.com/121899](http://www.bannerengineering.com/121899)

For further assistance, contact a Banner Engineering Applications Engineer at (763) 544-3164 or (888) 373-6767.










**Models**

Models	Construction	Connector*	LED Function – Lights Independently Selected			Inputs			
			Color 1	Color 2	Color 3				
	T8LGRXPQP	Polycarbonate/ABS alloy housing, thermoplastic diffuser. IP67	150 mm (6") PVC pigtail with 4-pin Euro QD connector	Green	Red	–	PNP (Sourcing)		
	T8LGRXNQP			Green	–	Yellow	NPN (Sinking)		
	T8LGXYPQP			–	Red	Yellow	PNP (Sourcing)		
	T8LGXYNQP			–	Red	Yellow	NPN (Sinking)		
	T8LXRYPQP			–	Red	Yellow	PNP (Sourcing)		
	T8LXRYNQP			–	Red	Yellow	NPN (Sinking)		
	M18GRXPQ			Nickel-plated brass housing, thermoplastic diffuser. Fully encapsulated IP67	4-pin Euro integral QD connector	Green	Red	–	PNP (Sourcing)
	M18GRXNQ					Green	–	Yellow	NPN (Sinking)
	M18GXYPQ					–	Red	Yellow	PNP (Sourcing)
	M18GXYNQ					–	Red	Yellow	NPN (Sinking)
M18XRYPQ	–	Red	Yellow			PNP (Sourcing)			
M18XRYNQ	–	Red	Yellow			NPN (Sinking)			
	T18GRXPQ	Thermoplastic polyester housing, thermoplastic diffuser.	4-pin Euro integral QD connector	Green	Red	–	PNP (Sourcing)		
	T18GRXNQ			Green	–	Yellow	NPN (Sinking)		
	T18GXYPQ			–	Red	Yellow	PNP (Sourcing)		
	T18GXYNQ			–	Red	Yellow	NPN (Sinking)		
	T18XRYPQ			–	Red	Yellow	PNP (Sourcing)		
	T18XRYNQ			–	Red	Yellow	NPN (Sinking)		
	T30GRXPQ	Fully encapsulated IP67	4-pin Euro integral QD connector	Green	Red	–	PNP (Sourcing)		
	T30GRXNQ			Green	–	Yellow	NPN (Sinking)		
	T30GXYPQ			–	Red	Yellow	PNP (Sourcing)		
	T30GXYNQ			–	Red	Yellow	NPN (Sinking)		
	T30XRYPQ			–	Red	Yellow	PNP (Sourcing)		
	T30XRYNQ			–	Red	Yellow	NPN (Sinking)		
	K30LGRXPQ	22 mm threaded polycarbonate base, translucent polycarbonate dome. Fully encapsulated IP67, IP69K	4-pin Euro integral QD connector	Green	Red	–	PNP (Sourcing)		
	K30LGRXNQ			Green	–	Yellow	NPN (Sinking)		
	K30LGXYPQ			–	Red	Yellow	PNP (Sourcing)		
	K30LGXYNQ			–	Red	Yellow	NPN (Sinking)		
	K30LXRYPQ			–	Red	Yellow	PNP (Sourcing)		
	K50LGRXPQ	30 mm threaded polycarbonate base, translucent polycarbonate dome. Fully encapsulated IP67, IP69K	4-pin Euro integral QD connector	Green	Red	–	PNP (Sourcing)		
	K50LGRXNQ			Green	–	Yellow	NPN (Sinking)		
	K50LGXYPQ			–	Red	Yellow	PNP (Sourcing)		
	K50LGXYNQ			–	Red	Yellow	NPN (Sinking)		
	K50LXRYPQ			–	Red	Yellow	PNP (Sourcing)		
	K50FLGRXPQ	Polycarbonate base, translucent polycarbonate dome. Fully encapsulated IP67, IP69K	4-pin Euro integral QD connector	Green	Red	–	PNP (Sourcing)		
	K50FLGRXNQ			Green	–	Yellow	NPN (Sinking)		
	K50FLGXYPQ			–	Red	Yellow	PNP (Sourcing)		
	K50FLGXYNQ			–	Red	Yellow	NPN (Sinking)		
	K50FLXRYPQ			–	Red	Yellow	PNP (Sourcing)		
	K80LGRXPQ	ABS and polycarbonate base, translucent polycarbonate dome. Electronics fully encapsulated IP67	4-pin Euro integral QD connector	Green	Red	–	PNP (Sourcing)		
	K80LGRXNQ			Green	–	Yellow	NPN (Sinking)		
	K80LGXYPQ			–	Red	Yellow	PNP (Sourcing)		
	K80LGXYNQ			–	Red	Yellow	NPN (Sinking)		
	K80LXRYPQ			–	Red	Yellow	PNP (Sourcing)		
K80LXRYNQ	–	Red	Yellow	NPN (Sinking)					

Two LED Colors

Additional models shown on page 2.

# EZ-LIGHT™ – General-Purpose Indicators with Two or Three Colors

Models	Construction	Connector*	LED Function – Lights Independently Selected			Inputs				
			Color 1	Color 2	Color 3					
Three LED Colors		<b>M18GRYPQ</b>	4-pin Euro integral QD connector	Green	Red	Yellow	PNP (Sourcing)			
		<b>M18GRYNQ</b>						Nickel-plated brass housing, thermoplastic diffuser. Fully encapsulated IP67	NPN (Sinking)	
		<b>T18GRYPQ</b>					Thermoplastic polyester housing, thermoplastic diffuser. Fully encapsulated IP67			PNP (Sourcing)
		<b>T18GRYNQ</b>						NPN (Sinking)		
		<b>T30GRYPQ</b>							PNP (Sourcing)	
		<b>T30GRYNQ</b>								
		<b>K30LGRYPQ</b>					22 mm threaded polycarbonate base, translucent polycarbonate dome. Fully encapsulated IP67, IP69K		PNP (Sourcing)	
		<b>K30LGRYNQ</b>						NPN (Sinking)		
		<b>K50LGRYPQ</b>					30 mm threaded polycarbonate base, translucent polycarbonate dome. Fully encapsulated IP67, IP69K		PNP (Sourcing)	
		<b>K50LGRYNQ</b>						NPN (Sinking)		
		<b>K50FLGRYPQ</b>					Polycarbonate base, translucent polycarbonate dome. Fully encapsulated IP67, IP69K		PNP (Sourcing)	
		<b>K50FLGRYNQ</b>						NPN (Sinking)		
		<b>K80LGRYPQ</b>					ABS and polycarbonate base, translucent polycarbonate dome. Electronics fully encapsulated IP67		PNP (Sourcing)	
		<b>K80LGRYNQ</b>						NPN (Sinking)		

\* **T8L Models:** Standard pigtail QD models are listed (mating cable required; see page 3). For integral 4-wire 2 m (6.5') cable model, omit suffix "QP" (e.g., "T8LGRXP").

**K80L Models:** Standard 4-pin Euro integral QD connector models are listed (mating cable required; see page 3). For terminal-wired model, omit suffix "Q" (e.g., "K80LGRXP").

**Other Models:** Standard 4-pin Euro integral QD connector models are listed (mating cable required; see page 3). For 2 m (6.5') integral 4-wire cable model, omit suffix "Q" (e.g., "M18GRXP"). For 150 mm (6") PVC pigtail with 4-pin Euro connector, replace suffix "Q" with "QP" (e.g., "M18GRXPQP").

\*\* Contact Factory for other colors/color combinations, including: blue, white, orange.

## Specifications

### Supply Voltage and Current

**T8 Models:** 10 to 30V dc @ 20 mA max. per LED color

**K30L, T18 and M18 Models:** 10 to 30V dc @ 25 mA max. per LED color

**T30 Models:** 10 to 30V dc @ 40 mA max. per LED color

**K50L, K50FL and K80L Models:** 18 to 30V dc @ 40 mA max. per LED color

### Indicators

Entire translucent diffuser or dome provides indication.

LEDs are independently selected: Green, Red, Yellow; 1, 2, or 3 colors, depending on model. For other colors/combinations, contact Factory for availability.

### Environmental Rating

IEC IP67

T8L not encapsulated; K80L has encapsulated electronics only; other models fully encapsulated.

**K50, K50L, and K50FL QD Models** meet IP69K per DIN 40050-9. Cabled models also meet IP69K if the cable and cable entrance are protected from high-pressure spray.

### Connections

**K80L Models:** 4-pin Euro-style integral QD (Q) standard. Terminal-wired models available for use with bulk cable; compression fitting optional. Contact Factory for cable information.

**T8L Models:** 4-pin Euro-style, 6" pigtail QD (QP), or 4-wire, 2 m (6.5') integral cable, depending on model

**Other Models:** 4-pin Euro-style integral QD (Q), 6" pigtail QD (QP), or 4-wire, 2 m (6.5') integral cable, depending on model

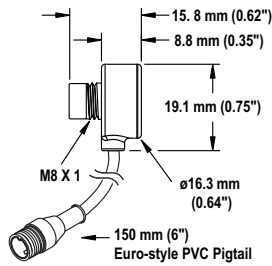
### Operating Conditions

**Temperature:** -40° to +50° C (-40° to +122° F)

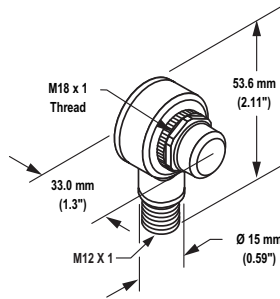
# EZ-LIGHT™ – General-Purpose Indicators with Two or Three Colors

## Dimensions

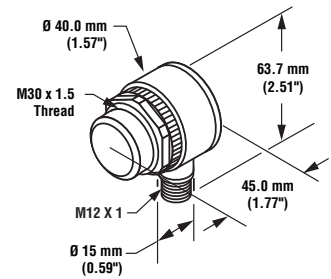
### T8 Models



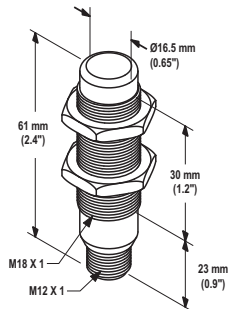
### T18 Models



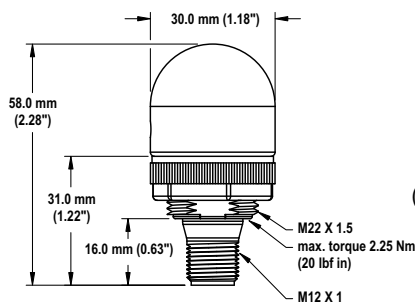
### T30 Models



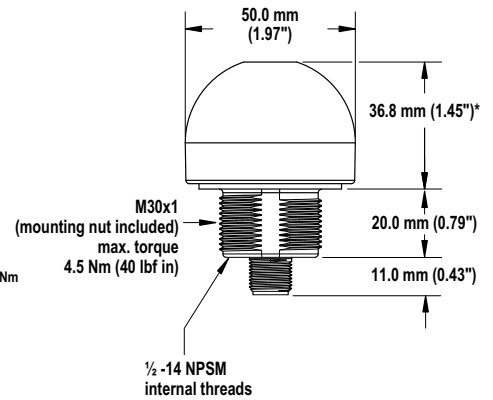
### M18 Models



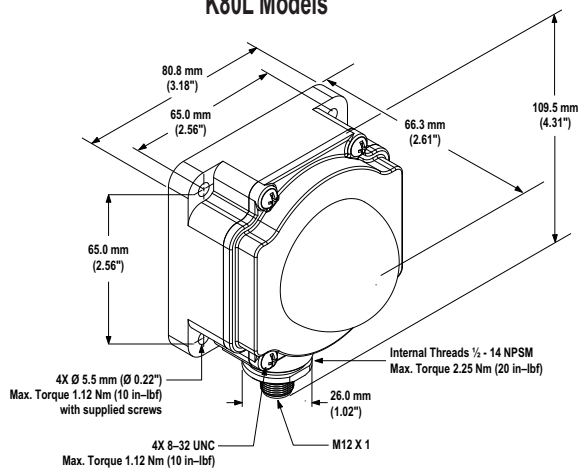
### K30L Models



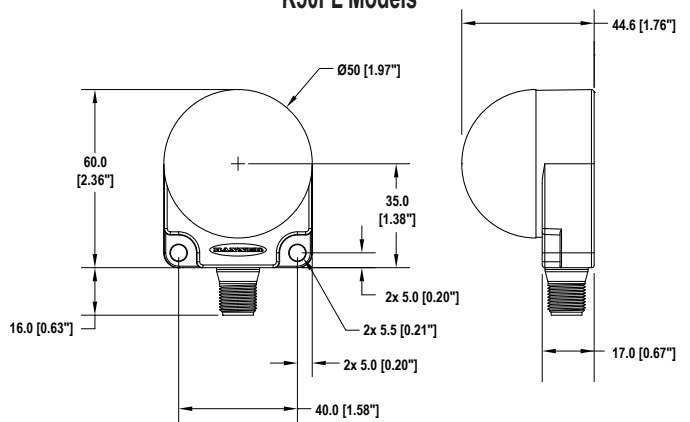
### K50L Models



### K80L Models

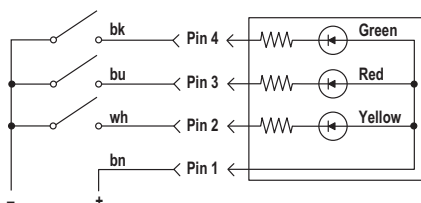


### K50FL Models

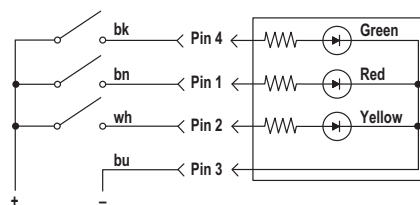


## Hookups

### NPN Models

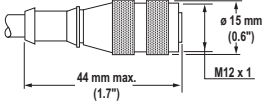
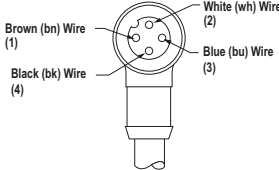
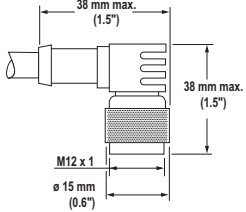


### PNP Models



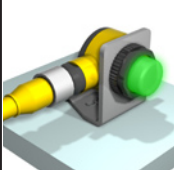
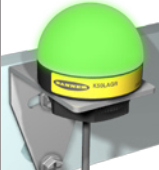

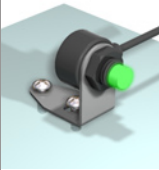
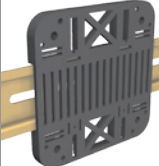
# EZ-LIGHT™ – General-Purpose Indicators with Two or Three Colors

## Quick-Disconnect (QD) Cordsets

Style	Model	Length	Dimensions	Pinout
4-pin Euro-style straight	MQDC-406 MQDC-415 MQDC-430	2 m (6.5') 5 m (15') 9 m (30')		
4-pin Euro-style right-angle	MQDC-406RA MQDC-415RA MQDC-430RA	2 m (6.5') 5 m (15') 9 m (30')		

Bulk cable for terminal-wired K80L models: Contact Factory.

## Accessory Mounting Brackets\*

<b>SMB18A</b>	<ul style="list-style-type: none"> <li>For use with M18 and T18 models or base-mount T30 models</li> <li>12-gauge, stainless steel, right-angle bracket, curved mounting slot for adjustable orientation</li> <li>Clearance for M4 (#8) hardware</li> </ul>		<b>SMB30A</b>	<ul style="list-style-type: none"> <li>For use with T30 models or base-mount K50L models</li> <li>30 mm 12-gauge, 304 stainless steel, right-angle mounting bracket, curved mounting slot for adjustable orientation</li> <li>Clearance for M5 (#10) hardware</li> </ul>	
Other available 18 mm dia. brackets:	<b>SMB1815SF</b> <b>SMB18Q</b> <b>SMB18SF</b> <b>SMB312PD</b> <b>SMBAMS18RA</b> <b>SMBAMS18P</b>		Other available 30 mm dia. brackets:	<b>SMBAMS30RA</b> <b>SMBAMS30P</b> <b>SMB30SC</b> <b>SMB30SC</b> <b>SMB30MM</b> <b>SMB3018SC</b>	
<b>SMB22A</b>	<ul style="list-style-type: none"> <li>For use with base-mount K30L models</li> <li>12-gauge, stainless steel, right-angle bracket, curved mounting slot for adjustable orientation</li> <li>Clearance for M4 (#8) hardware</li> </ul>		<b>SMB8MM</b>	<ul style="list-style-type: none"> <li>For use with T8L models</li> <li>Right-angle bracket</li> <li>300 series stainless steel</li> </ul>	
			<b>SMBDX80D</b>	<ul style="list-style-type: none"> <li>DIN-mount bracket for K80L models</li> <li>Hardware included to mount to K80L housing</li> <li>ABS</li> </ul>	

\* K50FL models include a 48 mm (1.9") circular velcro mounting kit for easy mounting with no additional hardware

Additional information on this product is immediately available online at [www.bannerengineering.com/121899](http://www.bannerengineering.com/121899)

For further assistance, contact a Banner Engineering Applications Engineer at (763) 544-3164 or (888) 373-6767.



**WARRANTY:** Banner Engineering Corp. warrants its products to be free from defects for one year. Banner Engineering Corp. will repair or replace, free of charge, any product of its manufacture found to be defective at the time it is returned to the factory during the warranty period. This warranty does not cover damage or liability for the improper application of Banner products. This warranty is in lieu of any other warranty either expressed or implied.